

Drop-in Elegance

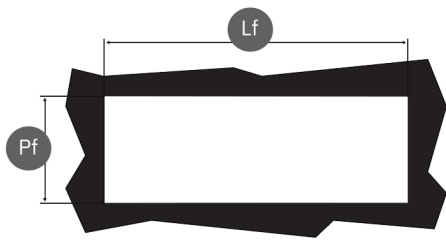


Main features

- ▶ Elegance is a drop in line composed of all professional self service standard elements: water and dry heated bain-marie units, glass-ceramic hotplates, refrigerated tops and wells, refrigerated and heated display cases, together with a vast choice of gantries and accessories.
- ▶ Elegance line is composed of standard elements to be built in worktops made of any type of material and is therefore well suited to any kind of shop fitting. It ensures that (hot and cold) food is kept at the right temperature, according to the highest safety standards.
- ▶ Ventilated elements have been conceived for distribution and display of foods and drinks that need to be kept at a hot or cold constant temperature. They have been designed to display food only during the distribution phase, not to hold food permanently.
- ▶ These appliances are not suited to work at not controlled ambient conditions (rain, direct sun, etc...).
- ▶ All elements are fastened to the worktop by means of adjustable brackets and the refrigerated elements may be equipped with condensing unit in the plug-in version, or preset for remote refrigeration, by requiring in this case refrigerant gas charge and testing.
- ▶ CE mark certified equipment

Holes arrangement on working tops and counters for built-in elements

Holes arrangement for standard models

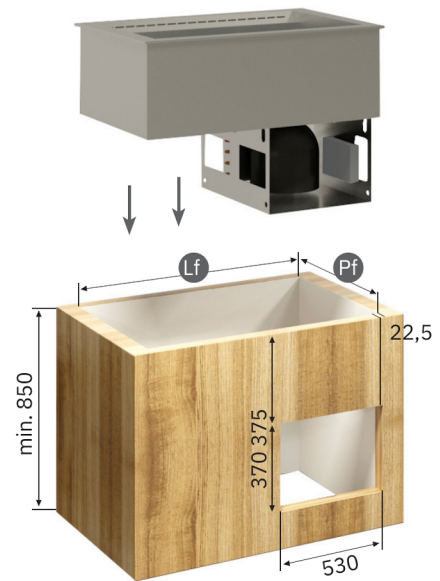
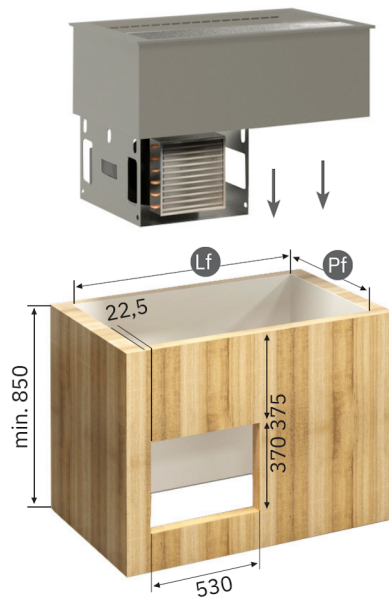


Gastronorm	1 GN1/1	2 GN1/1	3 GN1/1	4 GN1/1	5 GN1/1	6 GN1/1
Lf [mm]	460 (max 465)	775 (max 780)	1100 (max 1105)	1430 (max 1435)	1755 (max 1760)	2080 (max 2085)
Pf [mm]	675 (max 680)	675 (max 680)	675 (max 680)	675 (max 680)	675 (max 680)	675 (max 680)

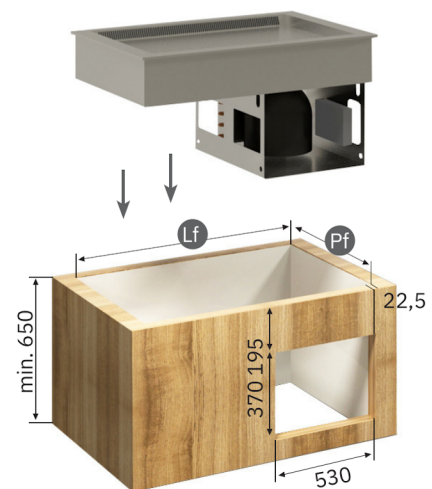
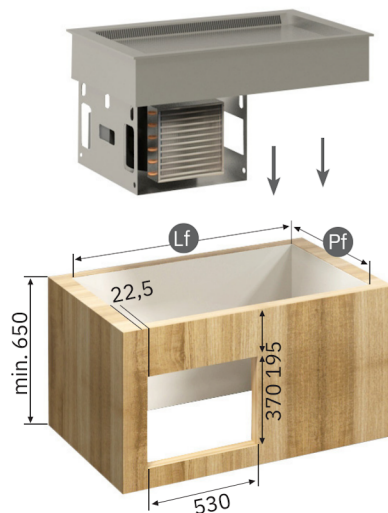
customer side view

operator side view

Holes arrangement on counters for built-in elements on **tank** with condensing unit



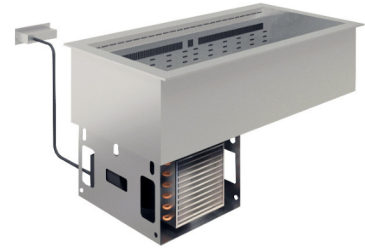
Holes arrangement on counters for built-in elements on **top** with condensing unit



NB: dimensions in millimeters

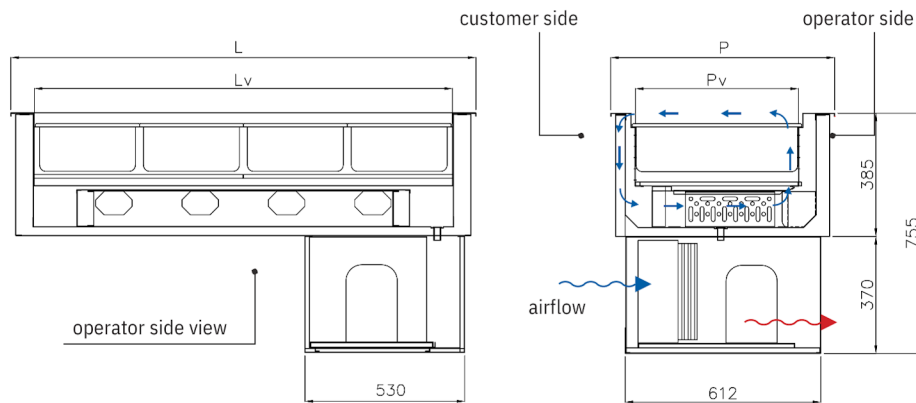
Refrigerated and ventilated tank

- ▶ Stainless steel top AISI 304, th. 12/10
- ▶ Refrigerated laminar airflow
- ▶ Stainless steel height-adjustable blind bottoms (useful height 30-150 mm)
- ▶ Evaporator with anti-corrosion coating, which can be lifted to easily clean the well
- ▶ Condensed water drain on bottom (evaporation kit on request)
- ▶ Insulation by high density expanded polyurethane without C.F.C. and H.C.F.C.
- ▶ With condensing unit. Defrost is performed through stop of the compressor
- ▶ Digital control system for temperature adjustment and defrosting
- ▶ Capillary expansion



OPTIONAL

- ▶ Reverse cycle defrosting
- ▶ Kit for condensed water evaporation
- ▶ Remote version (pre-set for R452A gas)



	2 GN1/1	3 GN1/1	4 GN1/1	5 GN1/1
Code	8046500HC	8046501HC	8046502HC	8046503HC
External dimensions [mm] LxP	800x700	1125x700	1455x700	1780x700
Well dimensions [mm] Lv x Pv x Hv	650x510x30/150	980x510x30/150	1310x510x30/150	1635x510x30/150
Capacity GN 1/1 containers	2 GN1/1	3 GN1/1	4 GN1/1	5 GN1/1
Well temperature [C°]	-1/+5*	-1/+5*	-1/+5*	-1/+5*
Refrigerant gas	R290	R290	R290	R290
Cooling power at -10°C [W]	480	910	1285	1490
Total power [Kw]	0,33	0,6	0,8	0,9
Supply voltage (50Hz)	230V 1F+N	230V 1F+N	230V 1F+N	230V 1F+N

* Classification 2M1 according to UNI EN ISO 23953-1:2006, UNI EN ISO 23953-2:2006

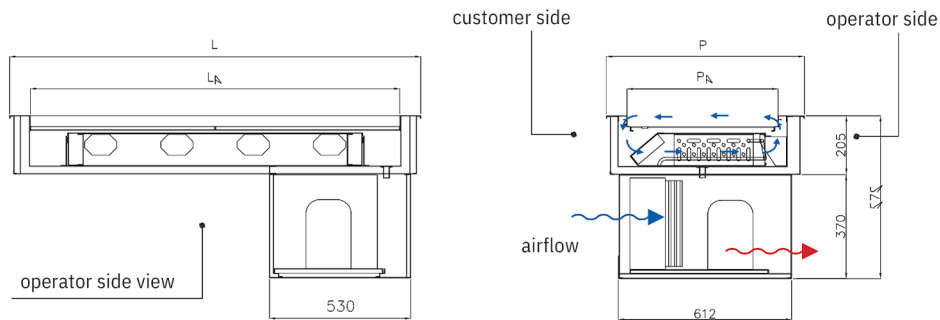
Refrigerated and ventilated top

- ▶ Stainless steel top AISI 304, th. 12/10
- ▶ Refrigerated laminar airflow
- ▶ Stainless steel blind bottoms (height 30 mm)
- ▶ Evaporator with anti-corrosion coating, which can be lifted to easily clean the well
- ▶ Condensed water drain on bottom (evaporation kit on request)
- ▶ Insulation by high density expanded polyurethane without C.F.C. and H.C.F.C.
- ▶ With condensing unit. Defrost is performed through stop of the compressor
- ▶ Digital control system for temperature adjustment and defrosting
- ▶ Capillary expansion



OPTIONAL

- ▶ Reverse cycle defrosting
- ▶ Kit for condensed water evaporation
- ▶ Remote version (pre-set for R452A gas)



	2 GN1/1	3 GN1/1	4 GN1/1	5 GN1/1
Code	8046450HC	8046451HC	8046452HC	8046453HC
External dimensions [mm] LxP	800x700	1125x700	1455x700	1780x700
Top dimensions [mm] L _p xP _p xH _p	650x510x30	980x510x30	1310x510x30	1635x510x30
Capacity GN 1/1 containers	2 GN1/1	3 GN1/1	4 GN1/1	5 GN1/1
Top temperature [°C]	-1/+5*	-1/+5*	-1/+5*	-1/+5*
Refrigerant gas	R290	R290	R290	R290
Cooling power at -10°C [W]	480	910	1285	1490
Total power [Kw]	0,33	0,6	0,8	0,9
Supply voltage (50Hz)	230V 1F+N	230V 1F+N	230V 1F+N	230V 1F+N

* Classification 2M1 according to UNI EN ISO 23953-1:2006, UNI EN ISO 23953-2:2006